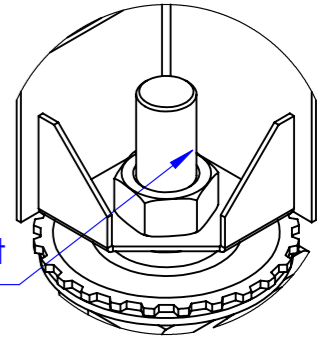
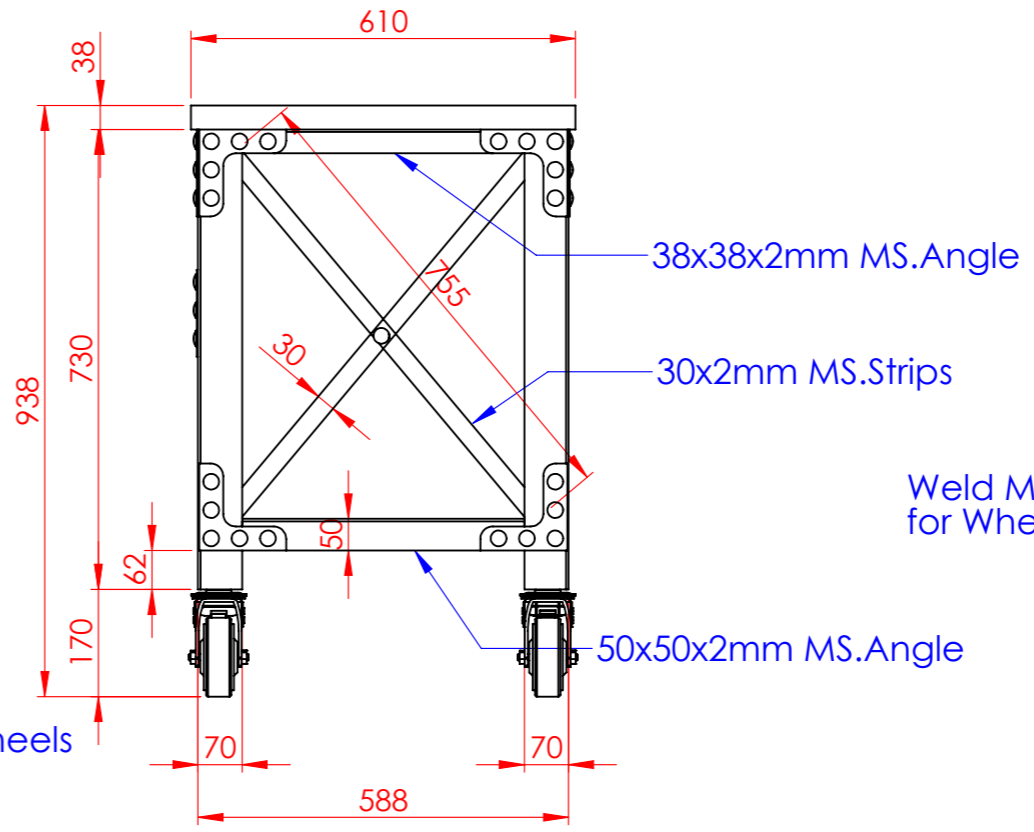
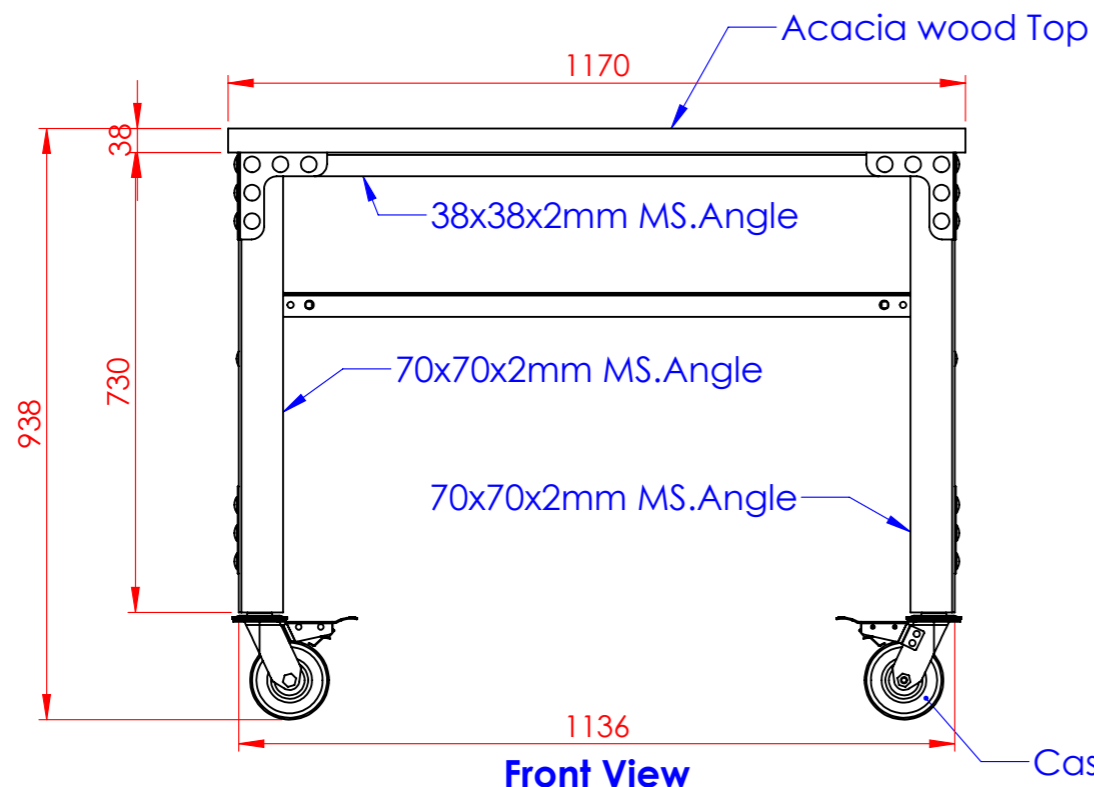
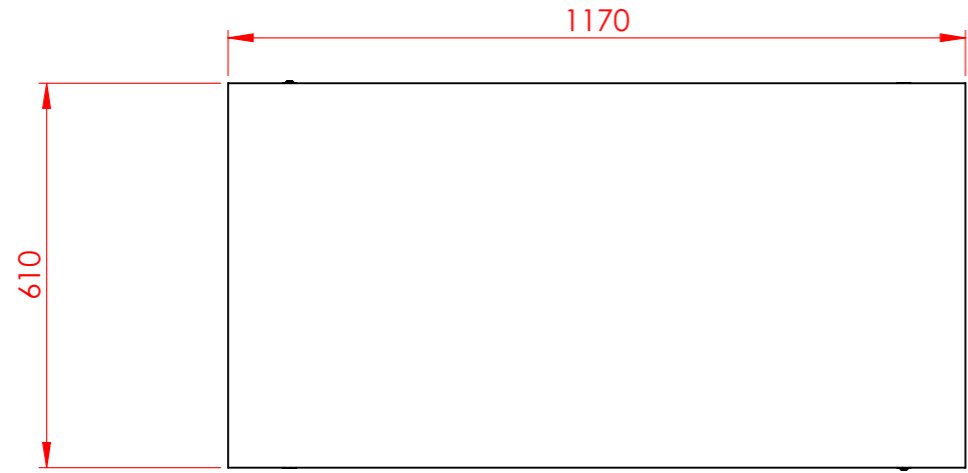


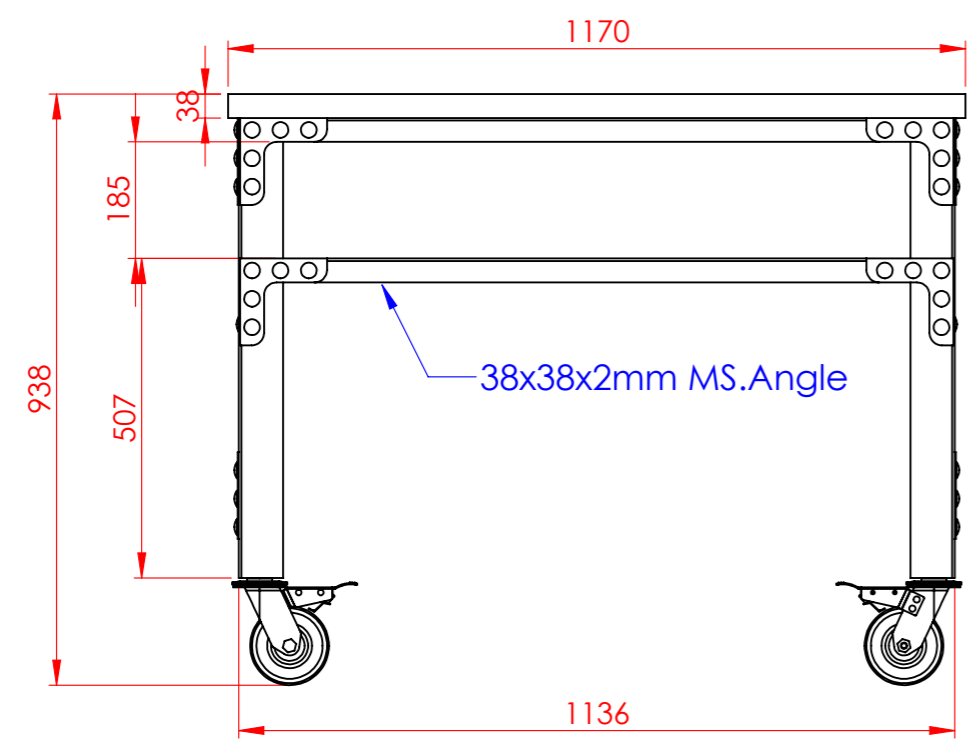
U:\USA Garage Tools\Work Table with Wheels\Work Table 46 inch\



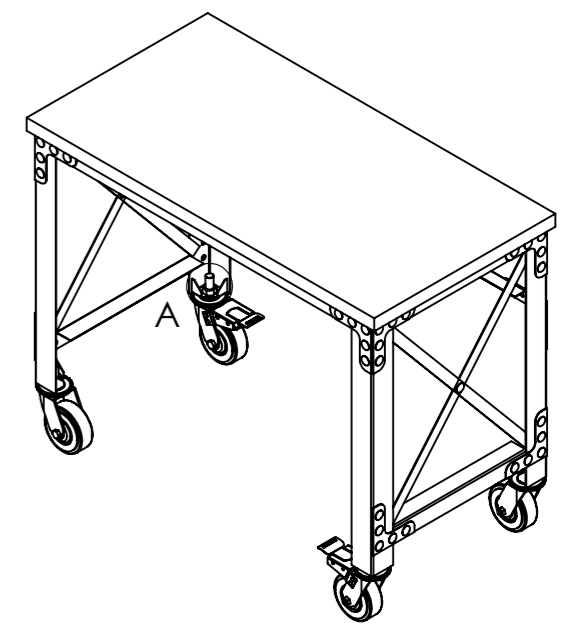
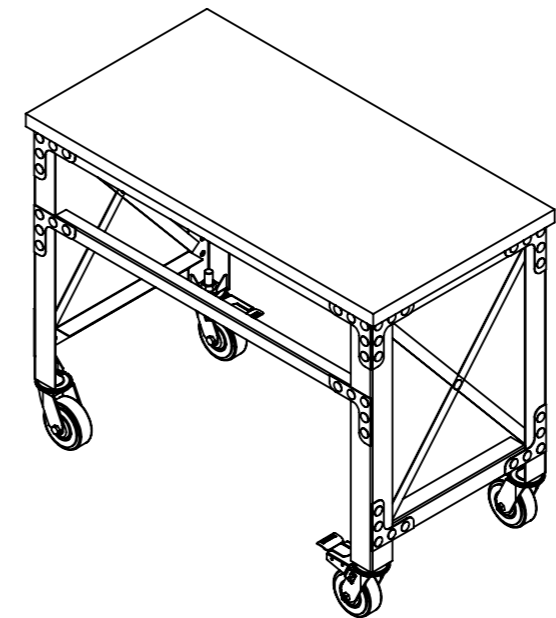
DETAIL - A



Top View



Back View



DRAWN	Tahir	SHEET THK.:	-NA-	WEIGHT:	-----	S. AREA:	4267518.72mm ²
CHECKED	Harout k	MAT.:	Acacia Wood / Metal	FINISH:		Powder coated	
APPROVED	Harout k	TITLE:	46" Industrial Metal & Wood Work Table				
DATE	25/11/2019						
DWG. NO.	NWB46 000	PRODUCT:	Work Table	MODEL:	1170x610x940mm		
General Tolerance : ± 0.1 mm		P.O. Box 474039, Jabel Ali, Dubai Investment Park - 1, Dubai (United Arab Emirates) Tel: 04-8841650 Fax: 04-8841934		SHEET 1 OF 8			
COLOUR	Black	ALL DIMENSIONS ARE IN MILLIMETERS AND ALL BEND RADII TO BE MIN. R AT 90° BEND, UNLESS SPECIFIED OTHERWISE THIS DRAWING IS THE PROPERTY OF TSSC, NOT TO BE REPRODUCED AS A PART OR WHOLE WITHOUT PRIOR CONSENT OF TSSC		SCALE	N.T.S.	REV.	00
QUANTITY							